

# SWEEP ANGLE CONTROL VALVE



## SWEEP ANGLE CONTROL VALVE

Custom designed to suit various applications

### ABOUT SWEEP ANGLE CONTROL VALVES

MITECH's Sweep Angle Control valve is ideally configured for service with highly erosive liquids where pressures and/or temperatures are too high for pinch valves or similar slurry valves, and also for applications where severe flashing is expected.

The plug and seat can be manufactured in hard material (up to and including Tungsten Carbide or other Ceramics) and the body can be boronized or coated with High Velocity Spray Coated Tungsten Carbide in critical areas.

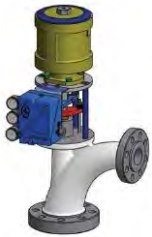
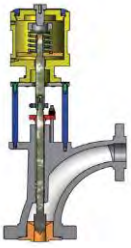
### INDUSTRIES AND APPLICATIONS

- Mining
- Petrochemical
- Viscous applications such as fast Bitumen adhesives

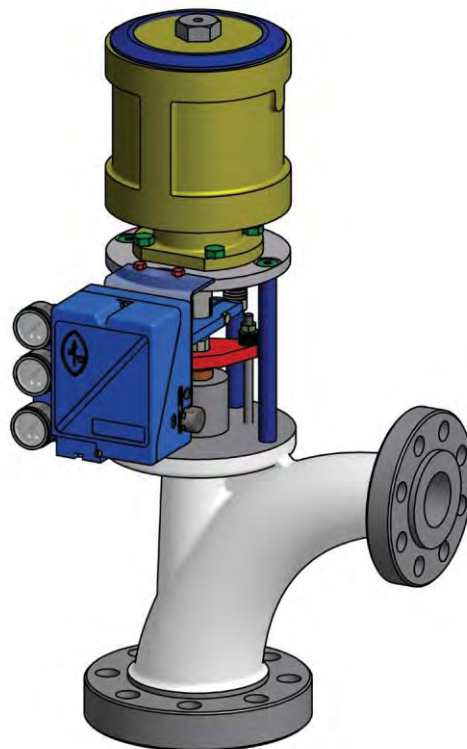
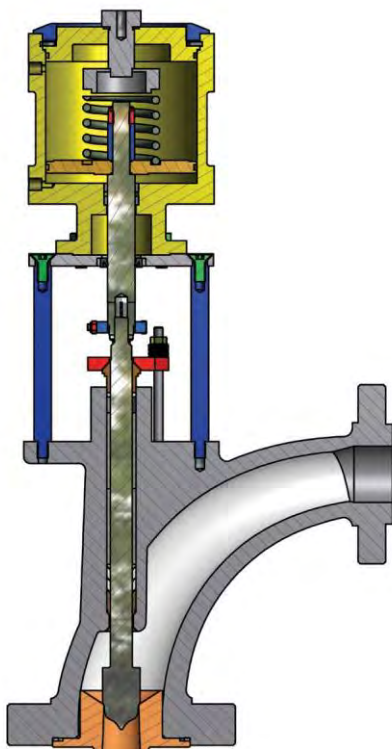


## KEY FEATURES AND BENEFITS

### SWEEP ANGLE CONTROL VALVE



Flow-to-close configuration	Cavitation / flashing occurs outside the valve
Few components in the flow path	Less maintenance and reduced life-cycle costs
The seat ring is clamped between the valve body and the downstream pipework	Eliminates the need for a traditional retainer or cage
Special design of body flow path	Eliminates any sharp changes in direction
Available in 1" to 16" models	Versatile
Flange ratings up to #2500	Designed for application
Larger sizes are available upon request	Reduces spares i.e. only spares required would be plug, seat, seat gasket and stem packing





## MITECH CONTROL VALVES (PTY) LTD

### Physical Address:

Unit D4 | Denel Industrial Park | Denel North  
Road | Kempton Park | 1619

### Postal Address:

Postnet Suite 8383 | Private Bag X32 |  
Kempton Park | 1620

T: 0861 MITECH (648324)

E: [enquiries@mitech.co.za](mailto:enquiries@mitech.co.za)

