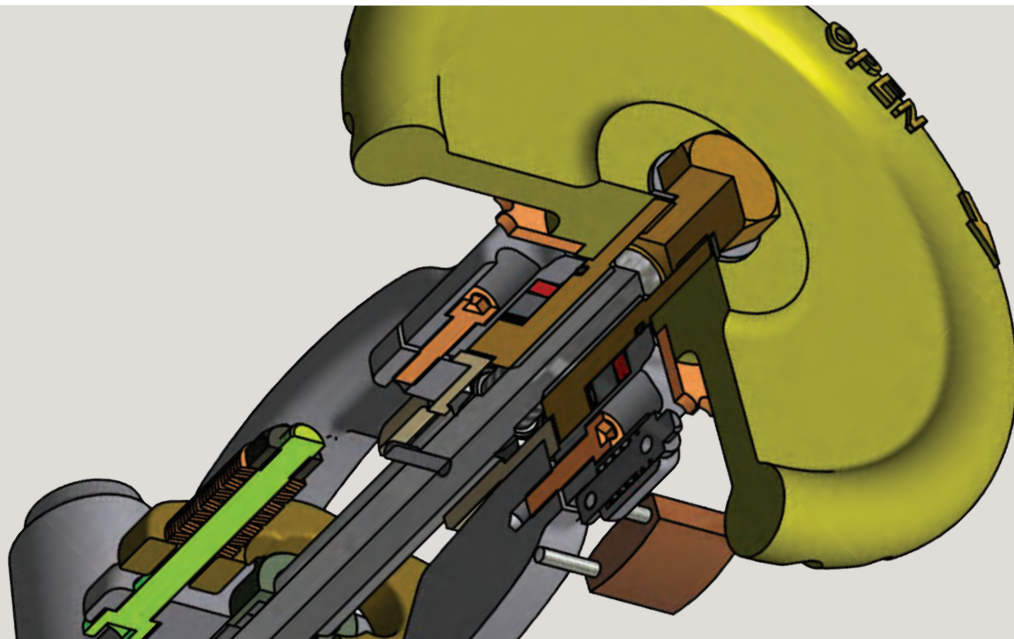


# HIGH PRESSURE STOP GLOBE VALVES



## HIGH PRESSURE STOP GLOBE VALVES

High performance for demanding applications

### ABOUT HIGH PRESSURE STOP GLOBE VALVES


Mitech's High Pressure Stop Globe Valves feature the same robust, low maintenance design characteristics as the rest of the Mitech range of control valves.

Designed to handle some of the industry's most extreme high pressure and high temperature applications, while providing low cost, hassle-free inline maintenance. This one piece forged body design is available in the following:

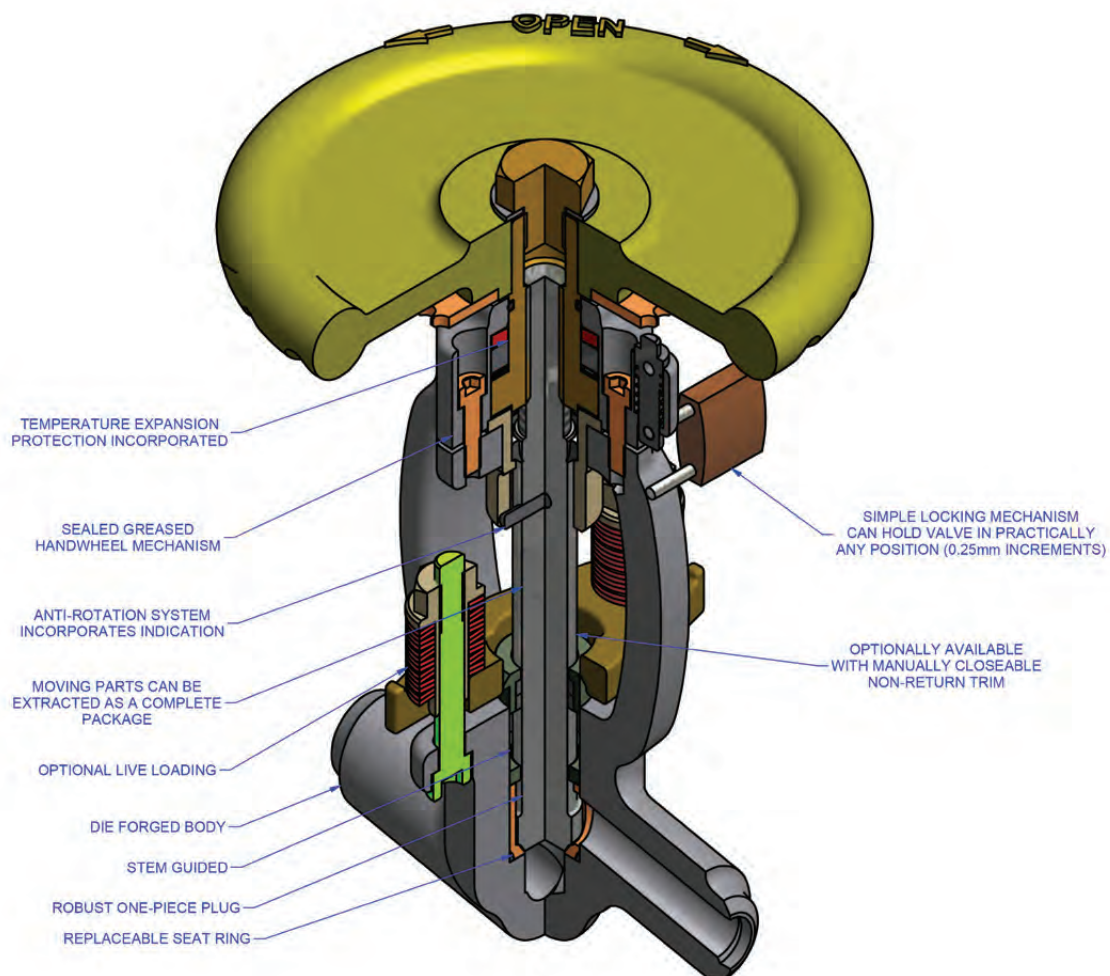
- T-pattern body style
- Sizes ½" through 2"
- Pressure rating up to ANSI 2500
- Temperature rating -29°C to 620°C
- Materials A105, A182-F22, A182-F91, A182-F316

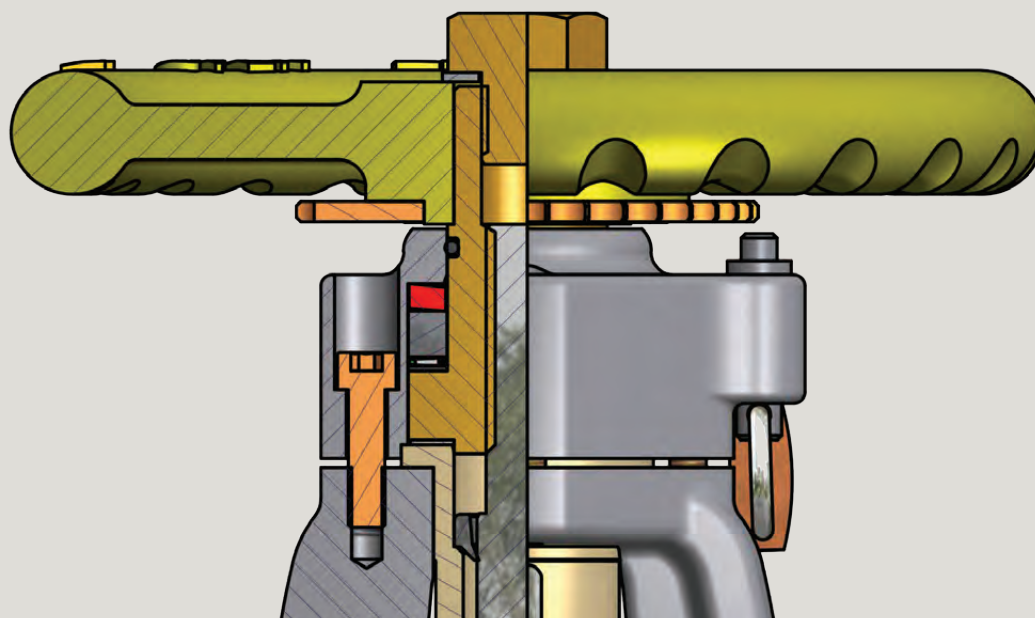


## SUMMARY OF KEY FEATURES AND BENEFITS

Model	Key features	Key benefits
 <p>HIGH PRESSURE STOP GLOBE VALVE</p>	One piece die-forged body	Pressure containment in one vessel. No threaded or bolted pressure retaining parts.
	Replaceable seat	Low maintenance cost. All parts extract from body in one piece.
	Graphite packing system	Long lasting packing configuration. Live loading optional.
	Anti-rotating stem	No torsion applied to packing system.
	Travel indication and lock-out mechanism	Valve position visible at all times. Safety lock out procedure at small travel increments.
	Yoke flange	Easily accommodate various actuator designs.
	Stellited plug and seat	High erosion resistance. Tight shut off.

## DIAGRAM





## INDUSTRIES AND APPLICATIONS

- Power generation
- Oil & gas
- Petrochemical
- Boilers

### MITECH CONTROL VALVES (PTY) LTD

#### Physical Address:

Unit D4 | Denel Industrial Park | Denel North  
Road | Kempton Park | 1619

#### Postal Address:

Postnet Suite 8383 | Private Bag X32 |

Kempton Park | 1620

T: 0861 MITECH (648324)

E: [enquiries@mitech.co.za](mailto:enquiries@mitech.co.za)

