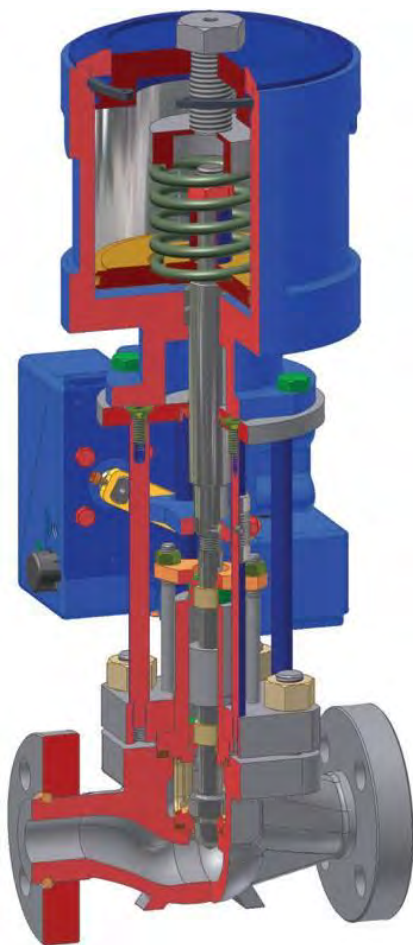


GLOBE CONTROL VALVES



GLOBE CONTROL VALVES

The modular, flexible option



ABOUT GLOBE CONTROL VALVES



Mitech Globe Control valves are general purpose control valves that can be engineered to solve both complex and basic requirements. Their robust construction makes them long-lasting and easy to maintain, while their modular design makes them easy to specify, reducing spares inventory requirements.

- From standard to severe service
- ½" to 24" NB
- Up to ANSI 4500
- Tight shut-off, low noise, cavitation control, energy dissipating trims

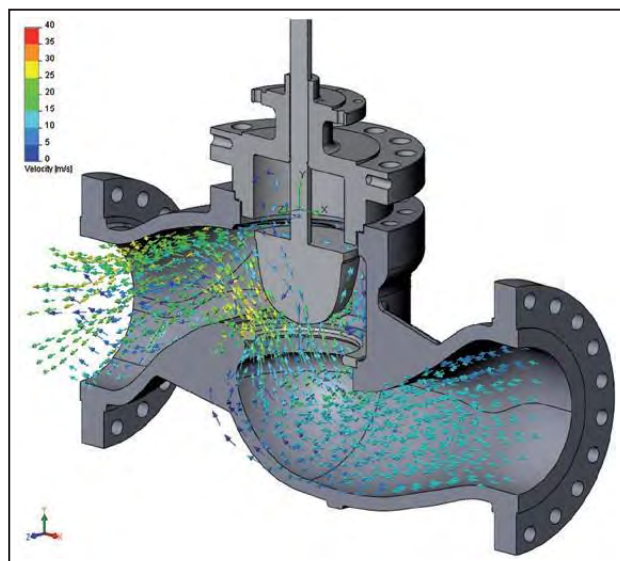
INDUSTRIES AND APPLICATIONS

- Petrochemical
- Mining
- Food
- Breweries
- Pulp and paper
- Power generation

THE RANGE AT A GLANCE

Valve name	Valve type	Body materials	Valve sizes	Connections	Flow characteristics	Special trims	Stem seals	Actuation
 <p>Mitech GCV</p>	2-port globe 3-way globe 2-port angle Sweep angle	Carbon steel Stainless steel Bronze Chrome moly Special alloys	DN15 to DN600 ½" to 24"	ASME 600# Separable up to 100 NB Integral All sizes Butt weld All sizes	=% Linear Quick opening	Low noise Anti-cavitation Cryogenic Heat extended Soft Seat Pressure Balance	PTFE Graphite Bellows Live loading	Pneumatic piston spring return or Double acting Electric Modulating On / Off
 <p>Severe Service</p>	2-port globe 3-way globe Sweep angle	Carbon steel Stainless steel Chrome moly Special alloys	DN15 to DN400 1" to 16" On request up to 24"	ASME Up to 4500# Separable up to 100 NB Integral All sizes Butt weld All sizes	Linear Bi-linear Tri-linear	ED Trims ZZ MHP	Graphite Bellows Custom made when required	Pneumatic piston spring return or Double acting Electric Modulating On / Off




GRAPHICAL REPRESENTATION OF A CFD ANALYSIS



Mitech's valvebody and trim designs are supported by extensive Computational Fluid Dynamics (CFD) analysis



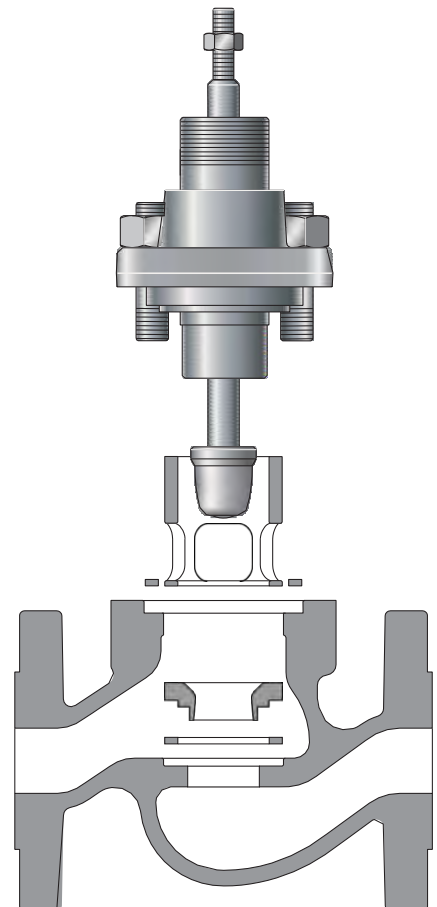
SUMMARY OF KEY FEATURES AND BENEFITS

Model	Key features	Key benefits
	General purpose valve	Solves basic and complex requirements
	Robust construction	Long lasting
	Modular design	Reduces spares
	Suitable for high pressure and extreme temperature conditions	Versatile and eliminates noise or cavitation problems
	Can be adapted for corrosive fluids	Versatile
	Various sizes	Versatile
	Pneumatic, electro-pneumatic or smart positioners	Versatile
SEVERE SERVICE  	Local CFD design	Can be engineered to suit a specific application
	Linear/Bi-Linear/Tri-Linear	
	Wide range of materials	Can be engineered to suit a specific application
	ZZ or disk stack	Potential cost reduction on smaller sizes
	Compact design	Suitable for retrofitting

CLAMP IN PLACE, FREE FLOAT DESIGN

The entire Mitech range of control valves utilises the clamp in place, free float design. All trim components are designed to clamp in place so the valve can be quickly configured to the users specific process needs. The free float of the seat and plug during assembly means that stem, plug and seat alignment is easily achieved. When compared to alternative designs, the free float design provides the user with longer stem seal life and better valve shut-off performance.

The simplicity of build also means that maintenance is quick and easy, with no special tools required to achieve the design performance of the valve.



APPLICATIONS



Angle Body Choke Valve

4" Class 2 500 Angle Valve
Crude oil from P1=210 bar to P2=46 bar
Tungsten Carbide trim



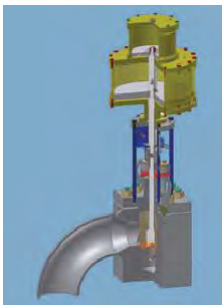
Soot Blower Valve

2" Class 2 500 Globe Valve
Steam @ 540 °C from 190 bar to 30 bar



Recycle and Pressure Control Valve

8" class 300 Globe Valve
Oxygen @ 112 °C from 36 bar to 1 bar



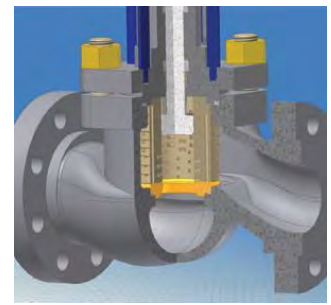
Steam Pressure Reducing Valve

6" x 10" Class 2500 x 600 Angle Valve
Steam from P1=98 bar to P2=22 bar
Flow = 46 700 kg/h



Turbine Isolation

Turbine isolation and warm-up station
Steam @ 430 °C from 46 bar to 1 bar



Energy Dissipating Disk Stack



Twin Pump Test Valve

24" Nominal Bore ANSI Class 600 in ASTM A217 WCB Carbon Steel.
Upstream pressure 102 bar with a differential pressure of 16 bar.
Full turndown of 50:1 for the 10,000 t/hour of water.





MITECH CONTROL VALVES (PTY) LTD

Physical Address:

Unit D4 | Denel Industrial Park | Denel
North Road | Kempton Park | 1619

Postal Address:

Postnet Suite 8383 | Private Bag
X32 | Kempton Park | 1620
T: 0861 MITECH (648324)
E: enquiries@mitech.co.za

